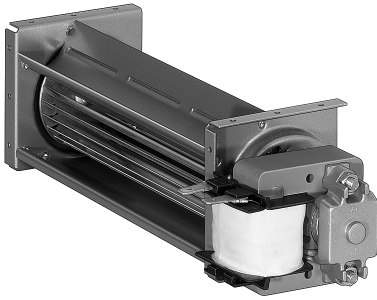


QL4/1000-2118

AC tangential blower

forward-curved



ebm-papst Landshut GmbH

Hofmark-Aich-Straße 25

D-84030 Landshut

Phone +49 (0) 871 707-0

Fax +49 (0) 871 707-465

info3@de.ebmpapst.com

www.ebmpapst.com

Nominal data

Type	QL4/1000-2118	
Phase		1~
Nominal voltage	VAC	230
Frequency	Hz	50
Speed (rpm)	min ⁻¹	2550
Power consumption	W	10
Min. ambient temperature	°C	-40
Max. ambient temperature	°C	60
Air flow	m ³ /h	40
Pressure increase	Pa	13

ml = Max. load · me = Max. efficiency · fa = Free air · cs = Customer specification · ce = Customer equipment
Subject to change



QL4/1000-2118

AC tangential blower

forward-curved

Technical description

Weight	0.5 kg
Cable	2



Product drawing

